

E•MIC

by Fitness Audio

Description

This microphone capsule is designed to be positioned near to the lips where it will deliver a smooth close talking response with a high gain before feedback output while eliminating background noise. Three noise cancelling modes operate together to give 20-30dB of noise reduction - 1) the small size and short distance between front and rear ports reduces the sensitivity to far field noise by 15dB compared to close talking response; 2) noise at lower frequencies is attenuated additionally and 3) the bidirectional response reduces 90 degree incident noise by 20dB more and random noise by 5dB more compared to on axis voice. A polar response and frequency response are shown in the graphic.

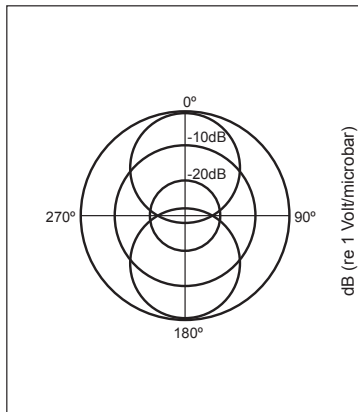
The E*Mic is fitted with immersion screens and the headband is sealed for protection against sweat and water ingress. The beige or black cable uses stainless steel wire strands for supreme cable strength of the signal and the bias cores with the copper screen reinforced by 2 strands of steel all housed in a waterproof jacket.

The E*Mic is rated at the highest levels of IP6X (=Dust -tight) and IPX8 (= water tight tested for continuous performance after immersion in 1m of water for 2 hours) and is used daily in swimming pools around the world by Aqua-aerobics Instructors as well as in military (Naval Comms) applications. It is available in Blue, Yellow, Pink with beige cable or Black with black cable. A variety of 3 pole connectors can be fitted by the distributor or dealer supplying the E*Mic

Specifications

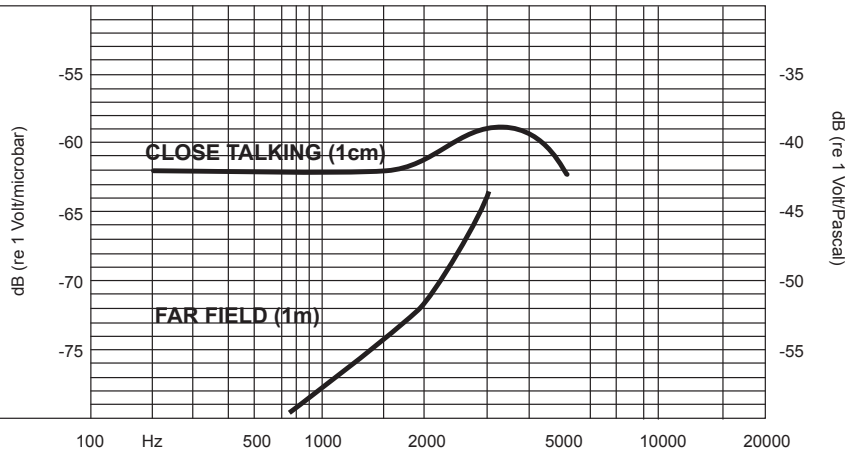
Generatiing Element	= Back Electret Condenser
Polar Pattern	= Bidirectional Noise Cancelling
Frequency Response (@ 2cm close talking)	= 200 - 6000Hz
Sensitivity	= 8mV per Pascal
Maximum Input (@3%THD)	= 120dB SPL
Power Supply Bias	= 1.3 to 20V
Current Drain	= 50uA
Waterproofing	= Secondary Diaphragm fitted
Accessory	= Windscreen fitted (Spares avail.)
Output	= 3 wires stripped and tinned (Red = Bias; White = Signal; Shield = Ground)

POLAR RESPONSE
(Measured at 1kHz)



FREQUENCY RESPONSE

(Measured free field at 0° incidence with standard preamplifier, 1.3V supply and high impedance amplifier)



Manufactured in Singapore by a US owned company and Marketed worldwide by Fitness Audio Distributors, Sydney, Australia (info@fitnessaudio.com.au).